

GYMC Soft Close Stay

Swing door opening

Opening Direction	Description	Door Width	Door Weight
 Swing Door	Soft-close	Max. 300	0.3~0.7 kg

Features

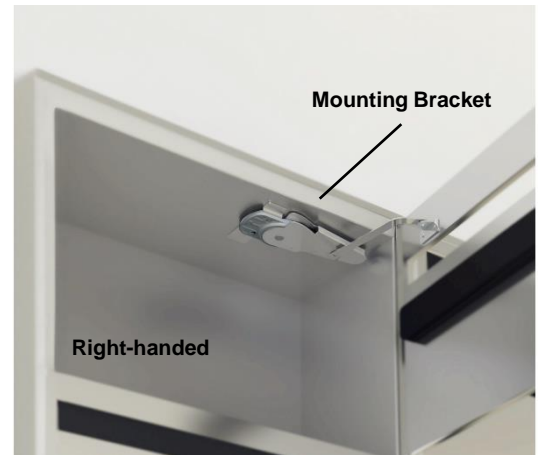
- Suitable for small cabinets such as mailbox
- Built-in damper provides gentle door closing
- Slim design and top board mount type maximises space inside the cabinet / enclosure

Notes

- Handed: Specific left and right-handed.
- Mounting bracket (*part in the picture, thickness 5mm) and screws not included
- Recommended screw: tapping screw nominal 4

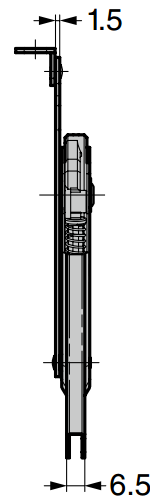
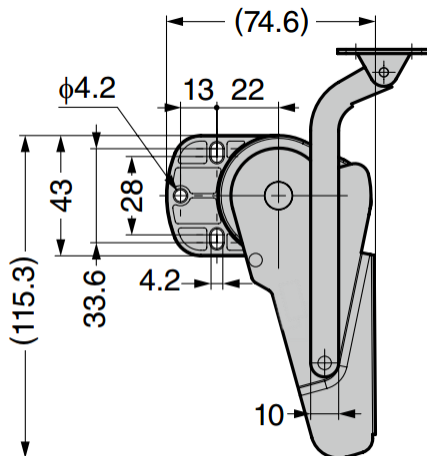
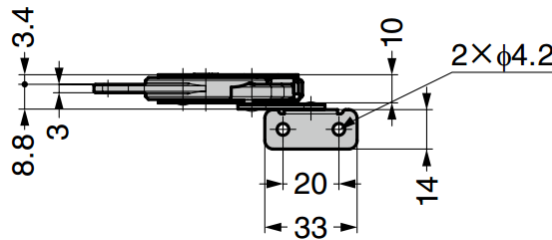


Right-handed



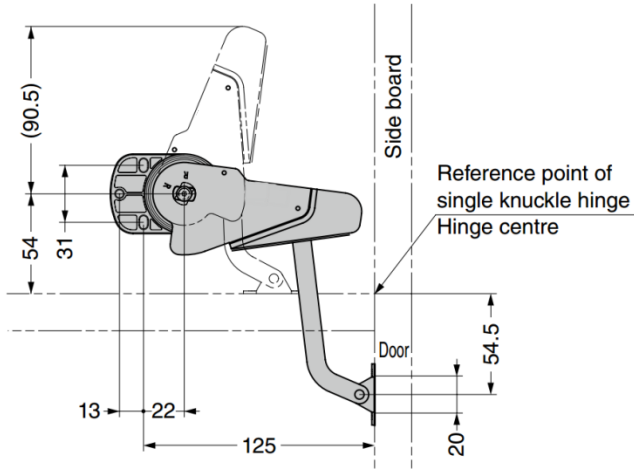
Mounting Bracket

Right-handed

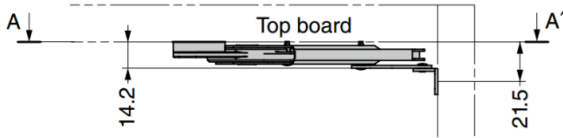


Part No.	Material	Colour	Door Width	Door Weight	Opening / Close Angle
GYMC-R	Stainless Steel / PBT	Grey	Max. 300	0.3 ~ 0.7 kg	0° ~ 90°
GYMC-L					

Installation with Single Knuckle Hinge

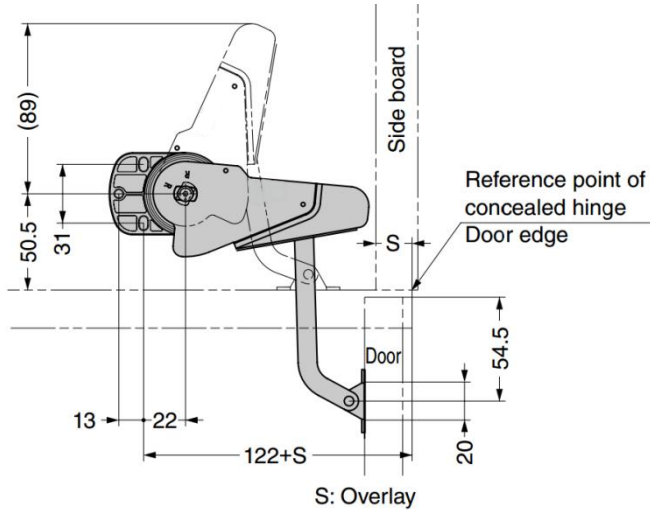


Cutaway view A-A'

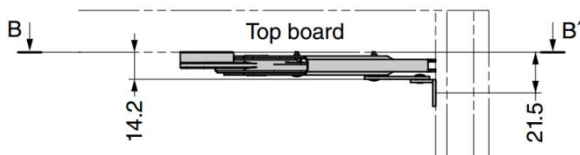


Right-handed type shown

Installation with Concealed Hinge



Cutaway view B-B'



Right-handed type shown